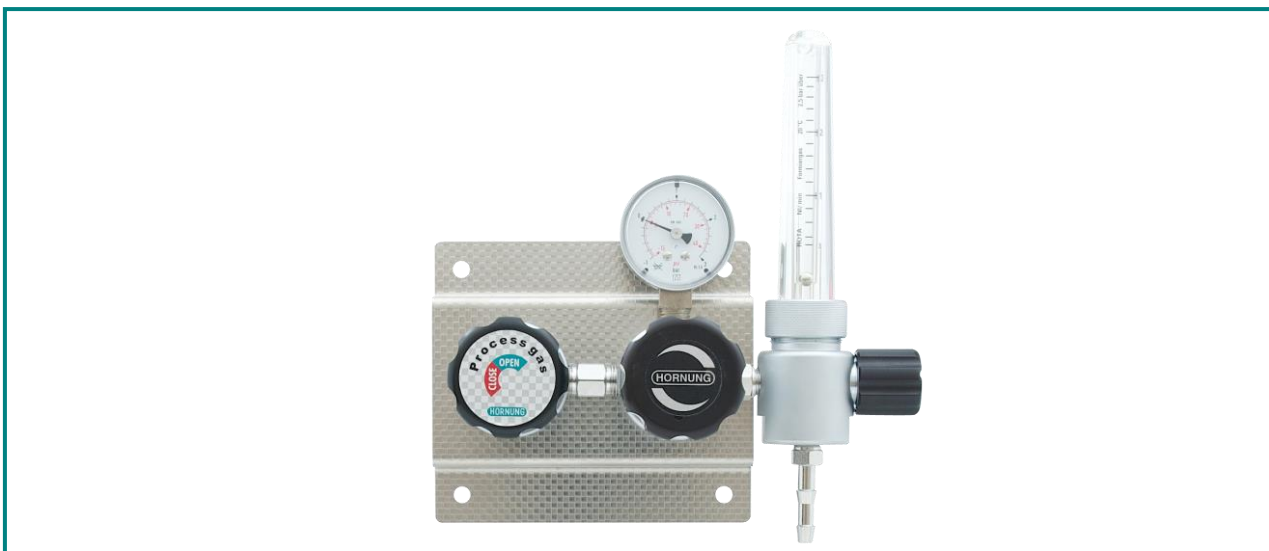


Point of use regulator HP HP 456 Frontline

- wall mounted regulator with flowmeter (system version)



Description:

The HP 454 point of use regulator is fitted with a diaphragm shut-off valve, single stage pressure regulator and a flow measurer and a dosage valve.

The point of use regulator HP 456 is an system wall version.

The point of use regulator is ready mounted on a console and is connected to a permanently laid piping system.

It serves as a second stage and reduces the line pressure to an adjustable working pressure. A floating body in the measuring tube shows the flow rate on a scale.

Application area:

The HP 456 is designed for low pressure use. It is used where an exact dosage and reading of this dosage on a scale is required.

Especially for gases with high requirements on purity to 6.0. Secure and leak proof. Through our special cleaning system our pressure regulators are suitable for ECD – applications.

Technical details:

Housing:	st. steel 1.4404 electro polished or brass, nickel & matt chrome plated
Seat:	PCTFE
Diaphragm:	1.4435
Leakage rate:	10 ⁻⁶ (mbar l/s) helium leakage test
Gas purity:	≤ 6.0
Max. Inlet pressure:	4 bar
Flow:	dependant on gas type and measurement tube
Gauges:	safety version to: EN 837-1 KL1,6
Operating temp.:	-20°C to +70°C
Weight:	570g
Connections:	inlet G ¼" f outlet G ¼" f

Hornung Quality standard

The company Hornung is certified to **DIN EN ISO 9001**.

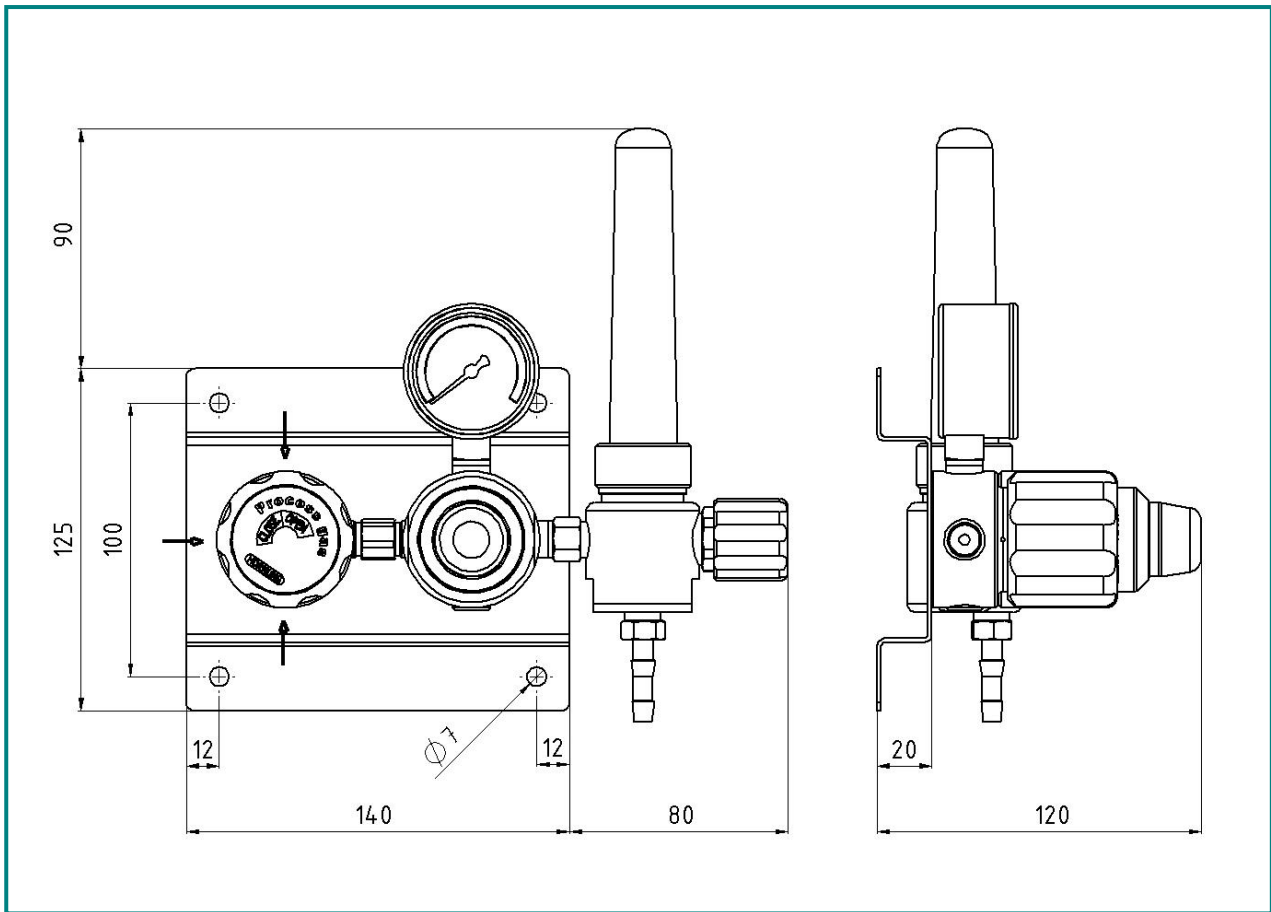
All single parts are manufactured, assembled and tested by in-house production.

The finished parts are therefore under all criteria of German quality control with 100% final inspection.

Hornung GmbH
Rathenaustraße 55, 63263 Neu-Isenburg

Phone: +49 6102 7883-70
Fax: +49 6102 7883-40

www.hornung.org
info@hornung.org



Accessories:

See total catalogue segment

7. Accessories

Scope of supply:

Cylinder station with outlet gauge and inlet shut-off valve.
 Flowmeter with dosage valve,
 Completely mounted on a wall console out of stainless steel.

Without compression fittings.

Ordering information:

Material:

- 1 = stainless steel
- 2 = brass

Outlet pressure p2:

- 1 = 1,0 bar fixed
- 2 = 2,5 bar fixed
- 3 = 1-6 bar adjustable

Options on the outlet side:

- 1 = NPT $\frac{1}{4}$ "f
- 2 = compression fitting 6mm

HP456-	2	3	1	Gas
Type	Mat.	P2	Option	Gas type